

PRATT COMBINATION 316SS SHOWER WITH SINGLE NOZZLE EYE WASH, BOWL & FOOT TREADLE

THIS COMBINATION SHOWER IS DESIGNED TO OPERATE AS AN INDIVIDUAL SHOWER OR EYE WASH OR BOTH SIMULTANEOUSLY.

It is constructed mainly of 316 stainless steel, with 316 stainless steel ball valves and threaded components, and two AES plastic eye wash nozzles including single aerators and dust caps. It is more suited for outdoor applications where a higher grade of stainless steel is required for additional corrosion resistance.

The shower outlet also includes a 90LPM flow regulator, and the eye wash incorporates individual flow adjustment to provide a balanced flow output.



SHOWER HEAD



FLOW REGULATOR



EYE WASH NOZZLES



AERATOR ASSEMBLY



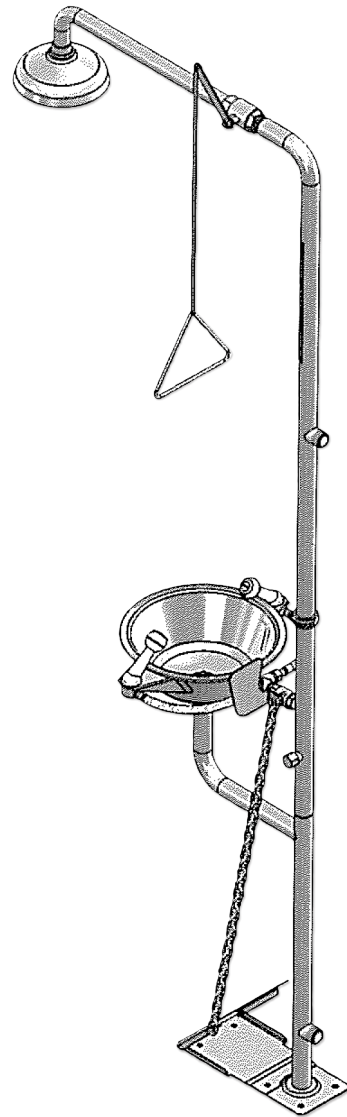
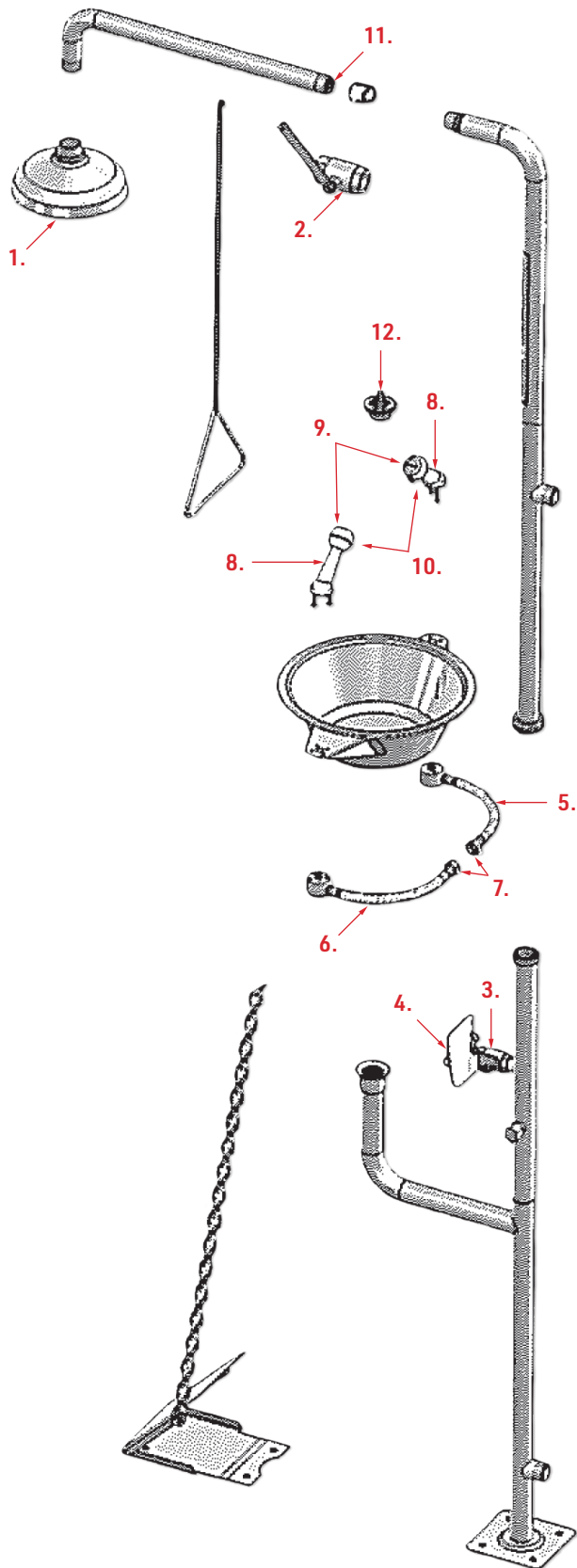
FOOT TREADLE



OPTIONAL ACCESSORIES:

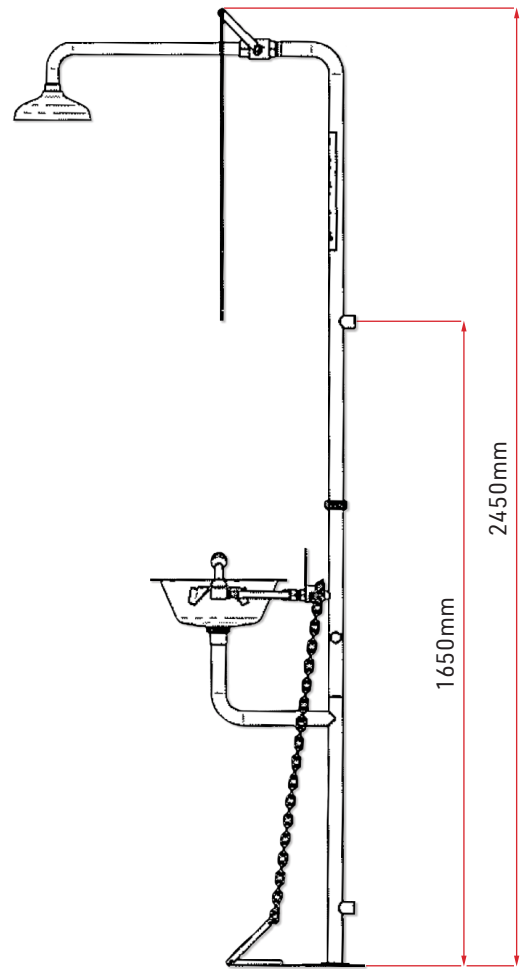
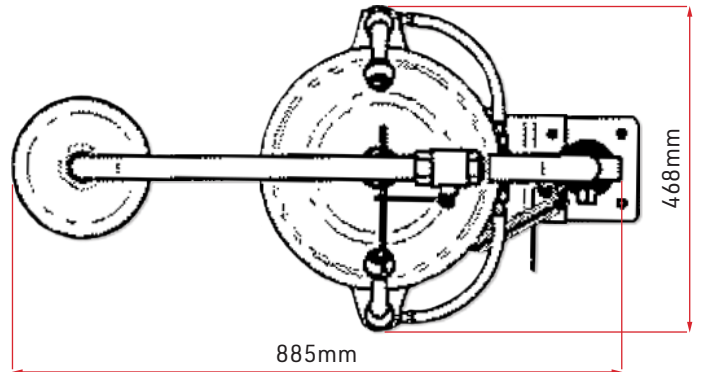
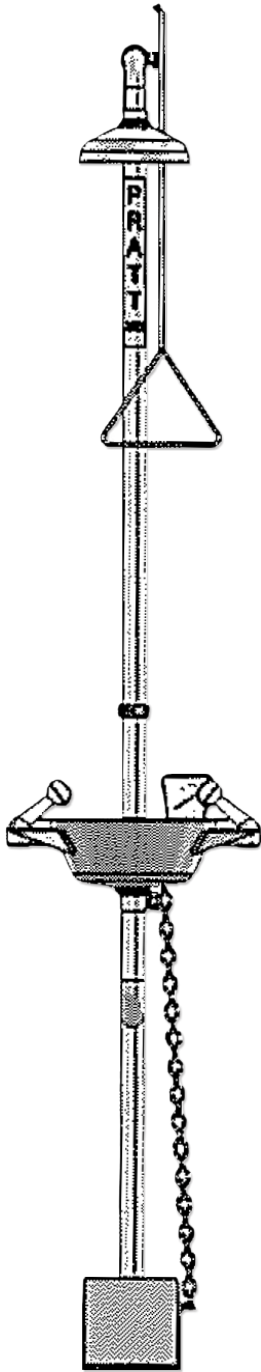
- Anti-Scald and Anti-Freeze Valve.
- Thermal Insulation.
- Audible and Visual Alarm Kits.
- Green Fluorescent Light Kits.
- Shower Test Kit.
- Safety Signs.
- Mounting Brackets.
- Custom Modifications.

PRATT COMBINATION 316SS SHOWER WITH SINGLE NOZZLE EYE WASH, BOWL & FOOT TREADLE



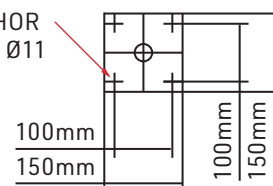
ITEM	P/NO.	DESCRIPTION	MATERIAL
1	SE850	Shower Head	316SS
2	SE911	25mm Ball Valve & Lever Arm	316SS
3	531018	15mm Ball Valve	316SS
4	511328	Manifold T Assembly	316SS
5	520130WH	Left Braided Hose & Elbow	304SS
6	520129WH	Right Braided Hose & Elbow	304SS
7	511700	Screen Filter Mesh (pk 6)	316SS
8	531130	Eye-Face Wash Nozzles	AES Plastic
9	05-1177	Aerator Screen Assembly (ea)	SS & Brass
10	531120	Dust Cover	AES Plastic
11	PFCA90	Flow Regulator & Housing	Acetyl/Polypropylene
12	531121	Drain Spud Connector & Hex Key	316SS

PRATT COMBINATION 316SS SHOWER WITH SINGLE NOZZLE EYE WASH, BOWL & FOOT TREADLE



- INLET CONNECTION:** 25mm BSPM
- OUTLET CONNECTION:** 25mm BSPM
- SHOWER FLOW RATE:** 90LPM @ 210kPa
- EYE WASH FLOW RATE:** 20LPM @ 210kPa
- RECOMMENDED MINIMUM SUPPLY CONNECTION:** 25mm
- RECOMMENDED MINIMUM WATER SUPPLY:** 130 LPM @ 210kPa

4 ANCHOR HOLES Ø11



FLOOR MOUNTING PLATE