

Model No: SE612

**PRATT COMBINATION SHOWER WITH SINGLE NOZZLE EYE WASH
WITH BOWL & FOOT TREADLE**

This combination model is constructed mainly of 304 stainless steel, with 316 stainless steel ball valves and threaded components, and AES plastic eye wash nozzles with a single aerator and dust cap. Includes foot treadle for the eye wash. It is suitable for both indoor and outdoor applications.

The shower outlet also includes a 90LPM flow regulator, and the eye wash incorporates individual flow adjustment to provide a balanced flow output.



Shower Head



Flow Regulator



Eye Wash Nozzles

Aerator
Assembly

Foot Treadle

OPTIONAL ACCESSORIES:

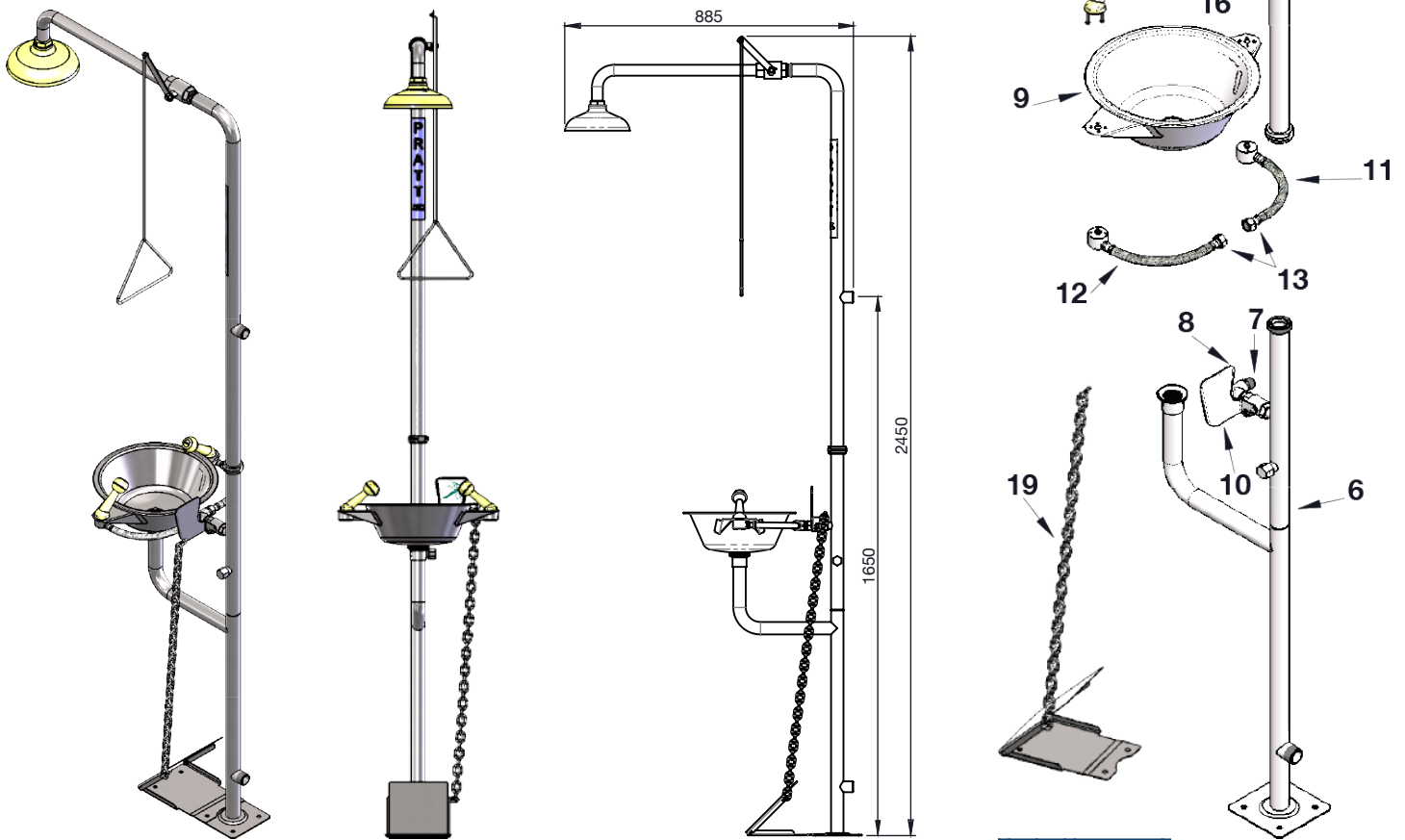
- 316 Stainless Steel Shower Head
- Anti Scald and Anti Freeze Valve Kits
- Thermal Insulation
- Audible and Visual Alarm Kits
- Green Fluoro Light Kits
- Shower Test Kits
- Safety Signs
- Mounting Brackets
- Custom Modifications

PRATT COMBINATION SHOWER WITH SINGLE NOZZLE EYE WASH WITH BOWL & FOOT TREADLE

TECHNICAL DRAWINGS AND SPARE PARTS

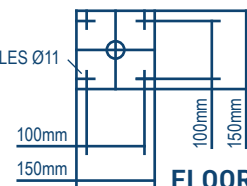
SPARE PARTS COMPONENTS:

ITEM	PART NO.	DESCRIPTION	MATERIAL
1	SE870	Shower Head	AES Plastic
2	531038	Pull Rod	304SS
3	531144	Shower Arm	304SS
4	SE911	25mm Ball Valve & Lever Arm	316SS / 304SS
5	531128	Upper Shower Stanchion	304SS
6	531039	Lower Shower Stanchion	304SS
7	531018	15mm Ball Valve	316SS
8	511328	Manifold T Assembly	316SS
9	531108	Bowl Assembly	304SS
10	531020	Push Handle	304SS
11	520130WH	Left Braided Hose & Elbow Base	304SS
12	520129WH	Right Braided Hose & Elbow Base	304SS
13	511700	Screen Filter Mesh (pk 6)	304SS
14	531130	Eye Wash Nozzles (complete)	AES Plastic
15	05-1177	Aerator Screen Assembly (ea)	SS & Brass
16	531113	Dust Cover	AES Plastic
17	PFCA90	Flow Regulator & Housing	Acetyl / Polypropylene
18	531121	Drain Spud Connector & Hex Key	316SS
19	531027	Foot Treadle & Chain	304SS



Inlet and Outlet Connections: 25mm BSPM
Recommended:
Minimum Supply Connection: 25mm
Minimum Water Supply: 120-130 LPM @ 210kPa

4 ANCHOR HOLES Ø11



FLOOR MOUNTING PLATE