

Model No: **SE584FTL****PRATT PEDESTAL MOUNTED 304SS SINGLE NOZZLE EYE WASH WITH BOWL & FLIP TOP LID, NO FOOT TREADLE**

Introducing a new range of Pratt safety showers and eye wash stations.

This pedestal mounted model features a new bowl design with a flip top dust cover, eye wash nozzle assembly and pedestal stand all constructed from 304 stainless steel.

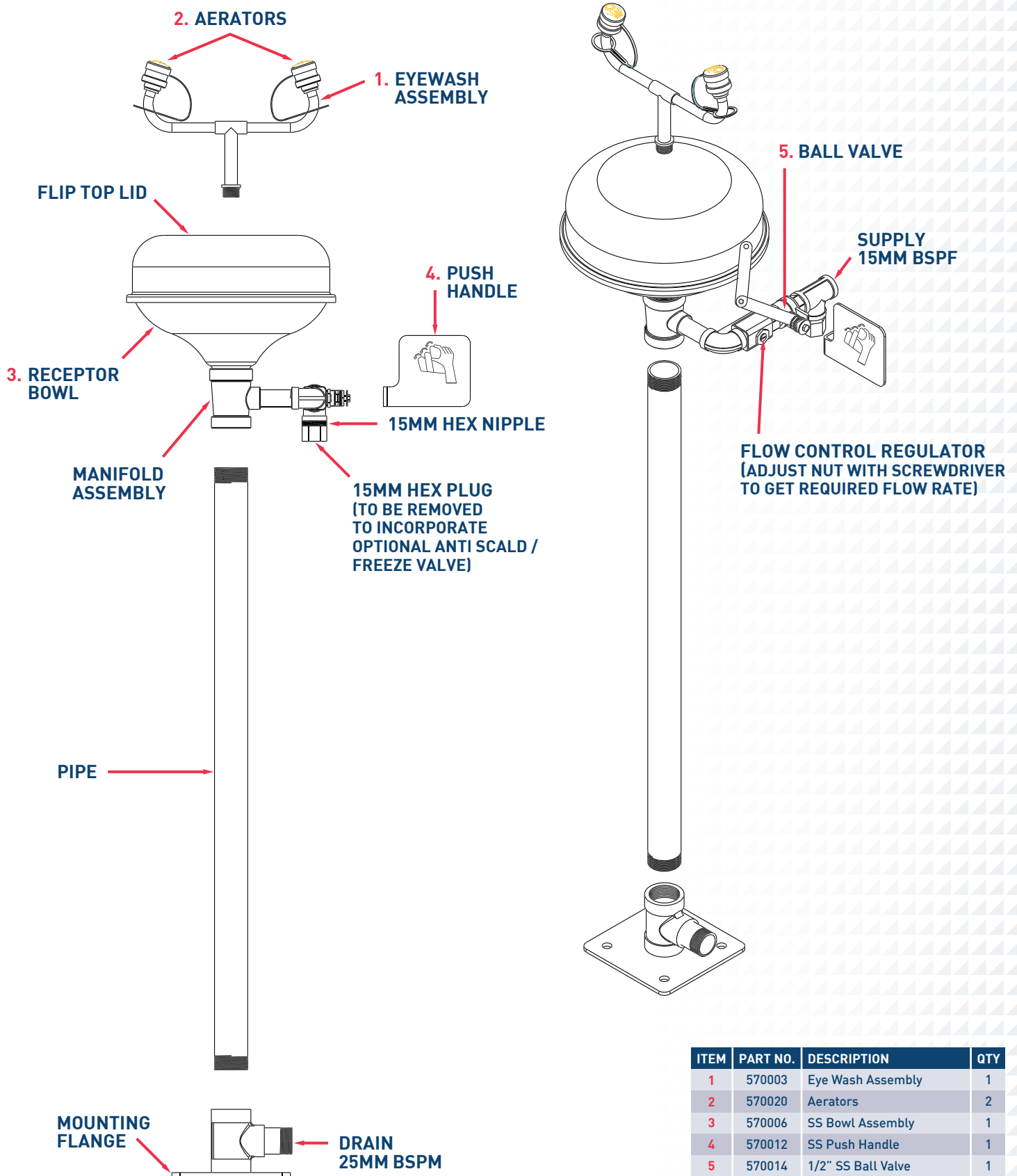
The new eye wash nozzles also feature a soft rubber cup surround, aerated water spray, flip off dust covers and flow control adjustment. The eye wash is hand activated only.

This model is ideal for dusty environments either indoors or outdoors.

**SINGLE EYE WASH NOZZLES****PUSH HANDLE****AERATOR****OPTIONAL ACCESSORIES:**

- Anti-Scald and Anti-Freeze Valve Kits
- Audible and Visual Alarm Kits
- Green Fluorescent Light Kits
- Shower Test Kits
- Safety Signs

PRATT PEDESTAL MOUNTED 304SS SINGLE NOZZLE EYE WASH WITH BOWL & FLIP TOP LID, NO FOOT TREADLE

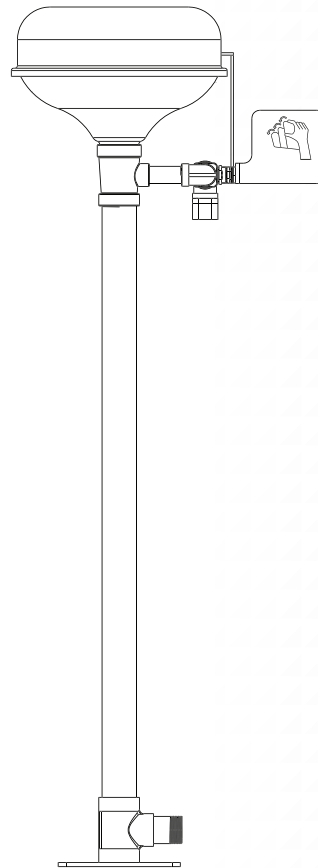
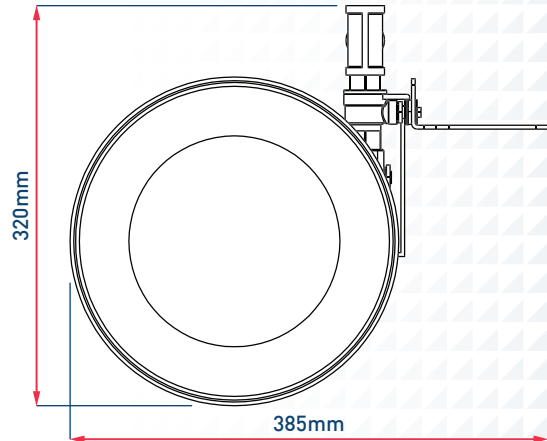
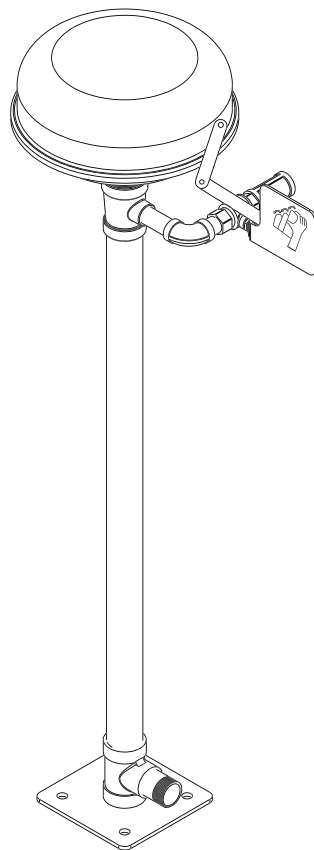
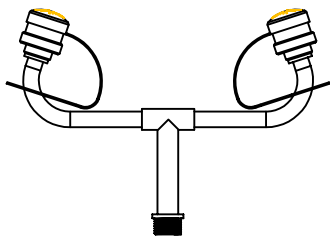


ITEM	PART NO.	DESCRIPTION	QTY
1	570003	Eye Wash Assembly	1
2	570020	Aerators	2
3	570006	SS Bowl Assembly	1
4	570012	SS Push Handle	1
5	570014	1/2" SS Ball Valve	1

PRATT PEDESTAL MOUNTED 304SS SINGLE NOZZLE EYE WASH WITH BOWL & FLIP TOP LID, NO FOOT TREADLE

ASSEMBLY INSTRUCTIONS:

1. Apply sealant tape to threaded connections (not included).
2. Affix base flange to solid floor with floor fasteners.
3. Screw stanchion into bottom base and drain assembly.
4. Screw manifold assembly onto stanchion.
5. Screw bowl assembly onto manifold.
6. Screw the eye wash assembly into centre of manifold. Ensure nozzles are positioned crossways.
7. Attach push handle to ball valve.
8. Connect water supply to inlet connection.
9. Connect drainage to waste outlet of stanchion (not included).
10. Adjust water flow of eye wash with flow control regulator.



Inlet Connection: 15mm BSPF

Outlet Connection: 25mm BSPF

Flow Rate: 15LPM @ 210kPa

Recommended:

Minimum Supply Connection: 15mm

Minimum Water Supply: 30LPM @ 210kPa